

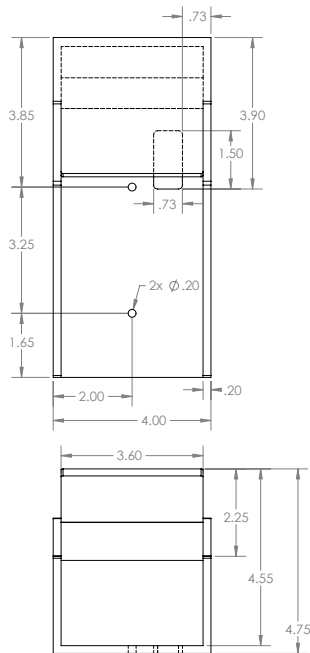
## Heavy Weather Visors for Stealth Series Readers

### Heavy-Duty Weather Visor for Stealth Series Readers.

Constructed from heavy gauge tinted polycarbonate. Required for outdoor operation of Stealth Bio-Reader.

**Dimensions:** 8.26 high X 3.26 wide X 2.1 depth (inches)  
210 mm X 83 mm X 51 mm

**Part Number: 033-200500**



**033-200500**

