

Mounting Options

Stealth Reader

#104

Mounting Options for Stealth Series Readers

Black Box Extender

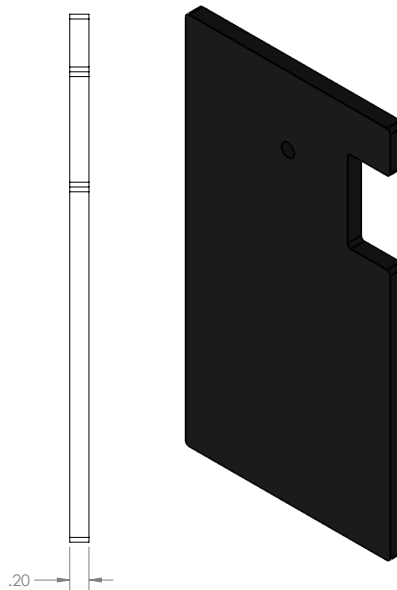
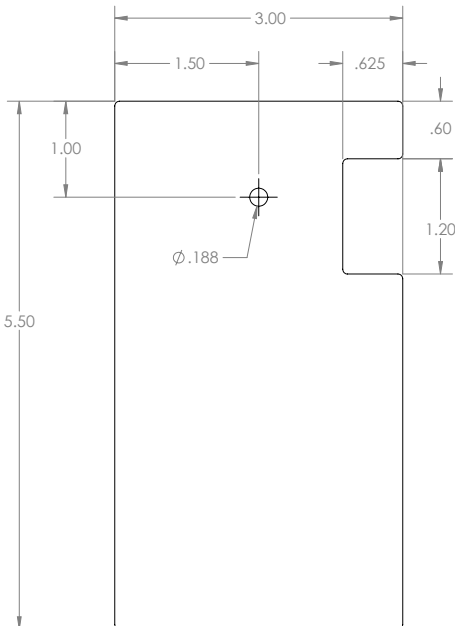
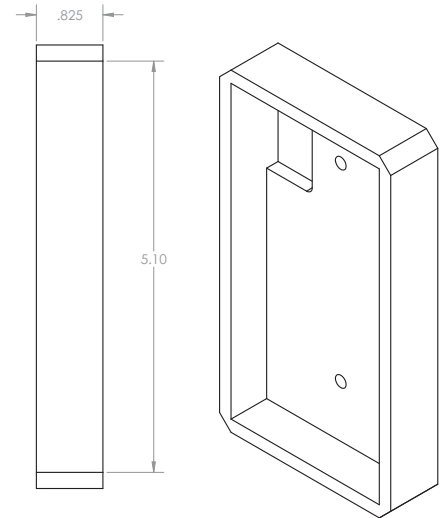
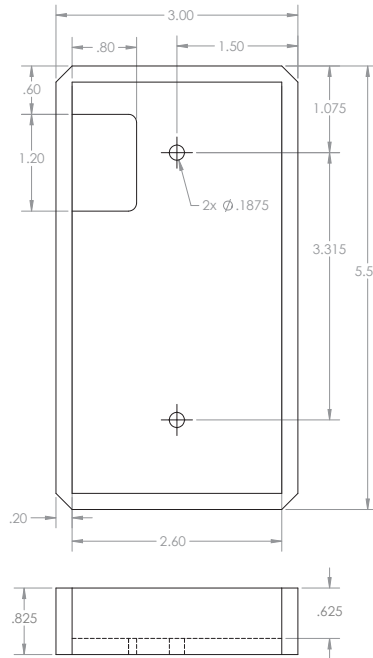
Fits all Heavy Weather Visors and Enclosures for Stealth Series Readers.

Dimensions:

.875 inch extender (22.23 mm)

.625 inch inside dimension (15.88 mm)

Part Number: 862-200100



Isolating Spacer

Used in conjunction with Black Box Extender or Mullion Mount

Dimensions:

.625 inch inside dimension (15.88 mm)

Part Number: 842-200600



Mounting Options

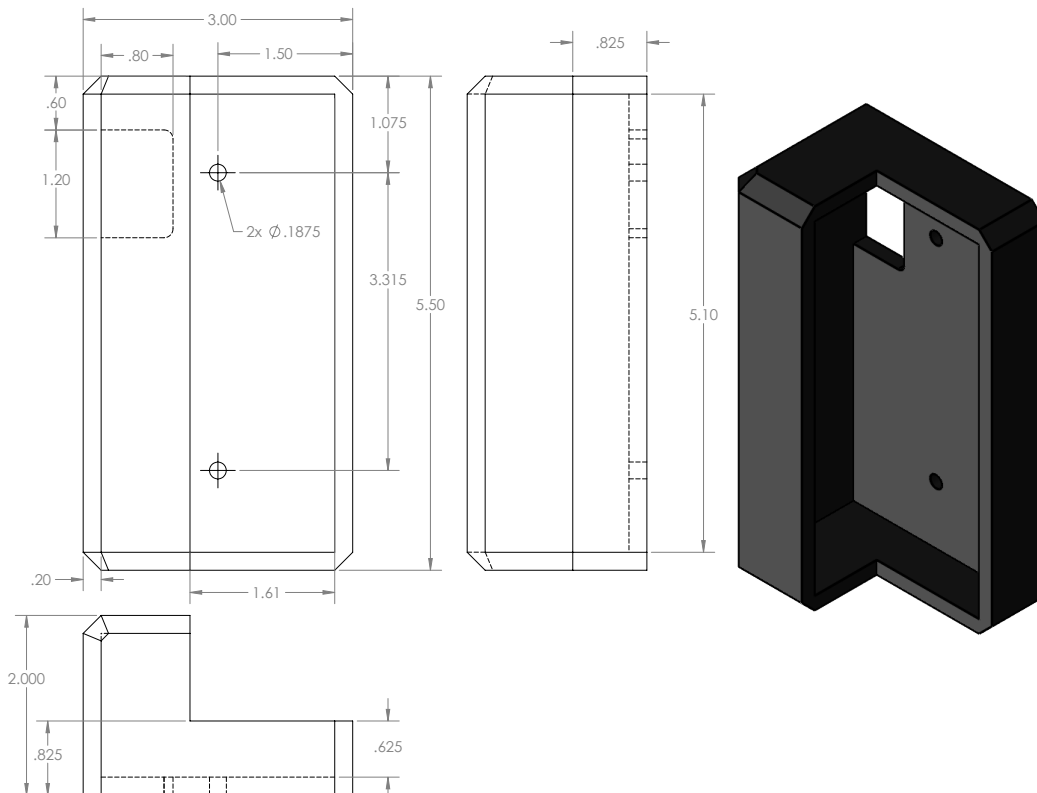
Stealth Reader

#104

Mullion Mount Adaptor

Mullion Mount Adaptor for use with Stealth Readers (Bio and non-Bio) to insure safe and secure mounting of Veridt readers. The standard reader mounting plate secures directly to adaptor. Can be mounted in both left or right side of mullion

Part Number: 862-109500



©Copyright 2022 Veridt, Inc. All rights reserved. Specifications subject to change without notice. Veridt, Stealth, and MultiMode are trademarks of Veridt. All other brands or product names are the trademarks or registered trademarks of their respective holders.